



TFD Filters

The Tecnicomar semi-automatic TFD filter represents an exclusive water filtration system based on a swirl effect. That allows a drastic reduction in the number of washes, saving water, energy and labor costs.

The swirl is obtained by means of a propeller at the filter inlet. The propeller creates a twisting motion to the incoming water flow. The suspended particles against the walls centrifuging away from the filtering element.

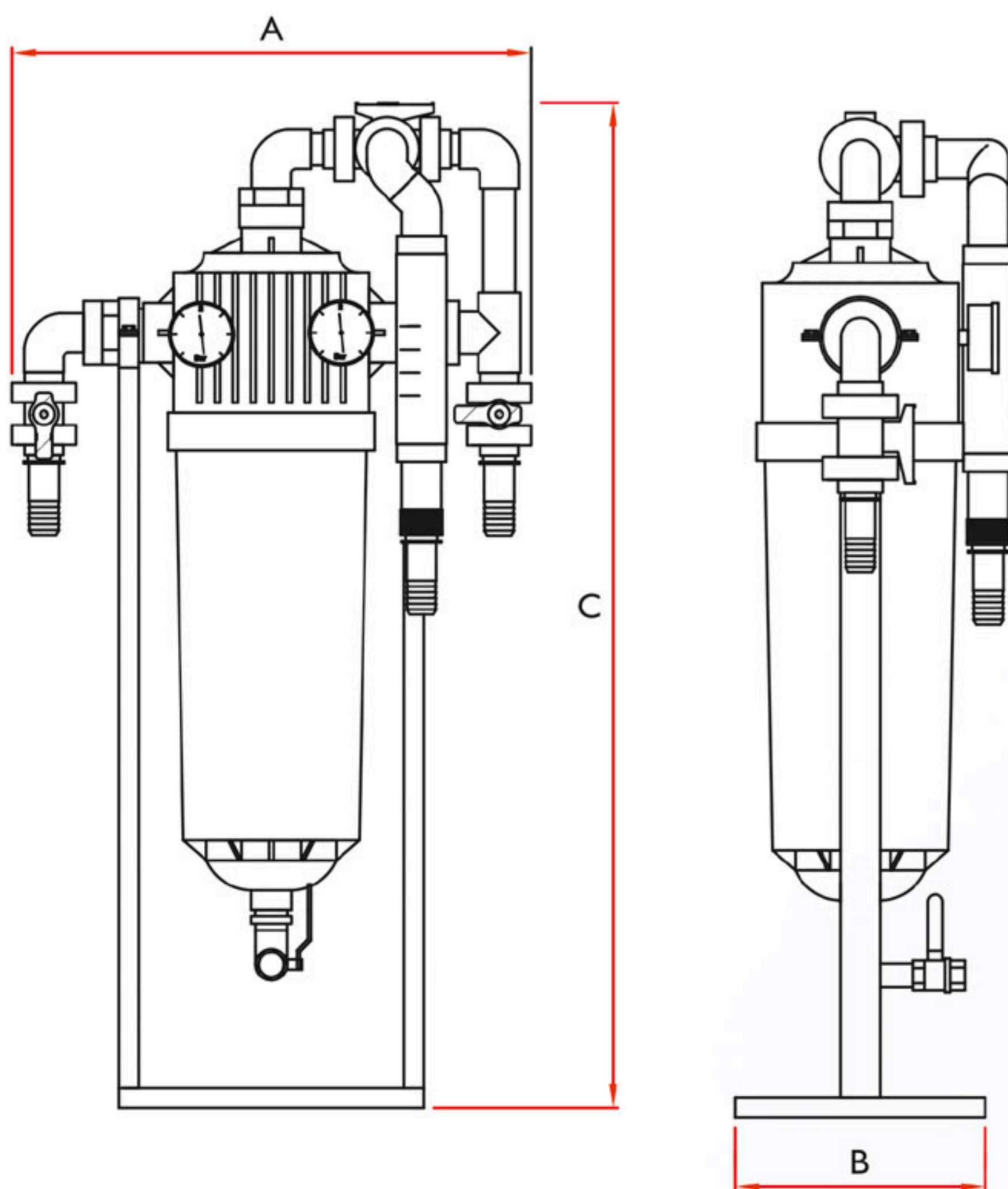
This reduces the frequency of washing. Standard automatic backflush.

APPLICATIONS:

- Used for filtration of all types of water.
- Application in marine sector, industrial processes, agriculture, landscape gardening, etc.

BENEFITS:

- FILTRATION SYSTEM WITH A HELICAL FLOW
- MODULAR, VERSATILE AND EASY TO MAINTAIN
- MADE OF REINFORCED NYLON WITH FIBERGLASS
- SAVES WATER AND ENERGY
- HIGH RESISTANCE TO CLOGGING
- EASY AND QUICK CONNECTION
- HYDROCYCLONE EFFECT



Technical Specifications

Model	Flow (m3/hour)				IN	Fittings OUT	DRAIN	Dimensions (cm)			Weight (kg)
	20 μ	50 μ	100 μ	130 μ				A	B	C	
TFD 100 SEMI-AUTOMATIC	8	18	22	24	1" 1/4"	DN32	1/2"	52	25	89 - 102	13.7